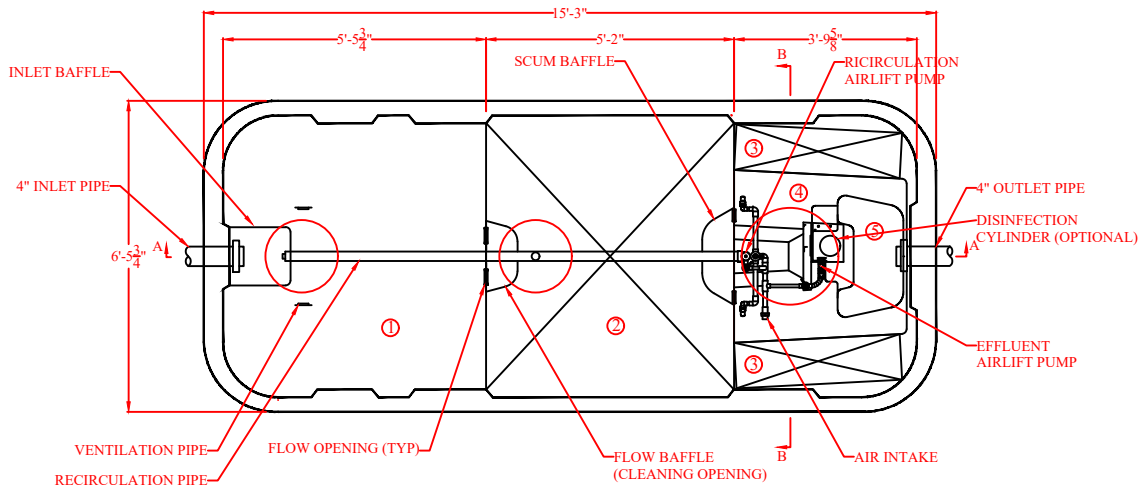
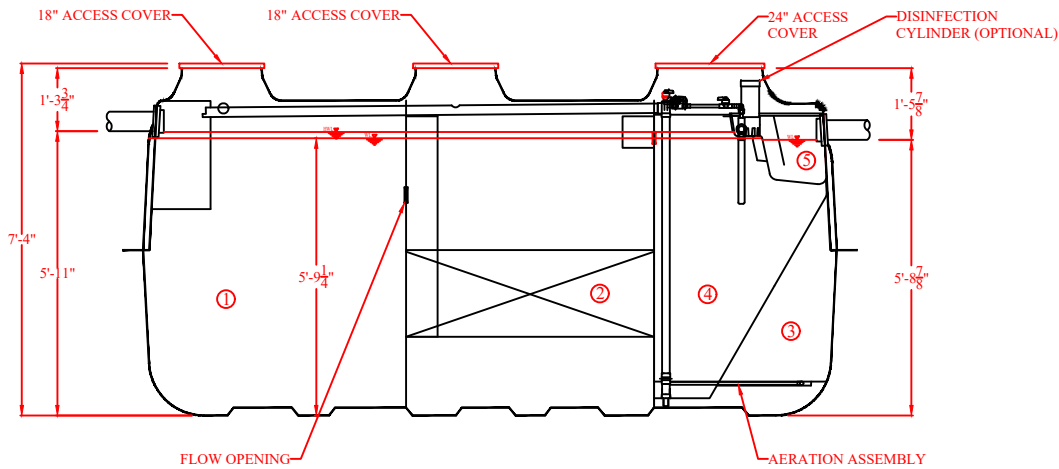


CHAMBER		Volume (gal)
①	Sedimentation Chamber	1,200
②	Anaerobic Filtration Chamber	1,198
③	Aerobic Contact Filtration Chamber	550
④	Clarification Chamber	268
⑤	Disinfection Chamber	17
Total Volume		3,233

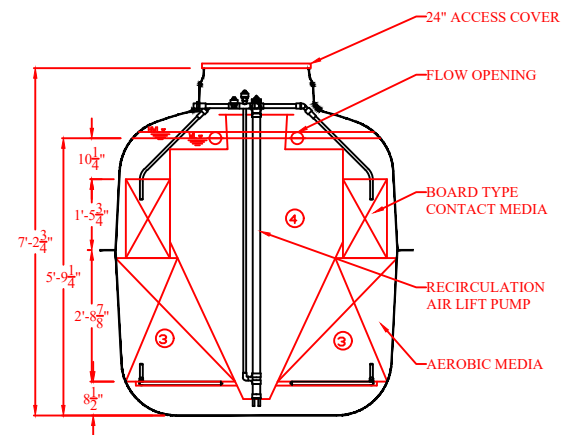
SPECIFICATIONS	
Anaerobic Media	PP / PE
Board Type Aerobic Media	PVC / PP / PE
Aerobic Media	PP / PE
Blower	10.6 cfm
Tank	FRP
Piping	PVC / PP / PE
Access Covers	Plastic / Cast Iron
Disinfectant (Optional)	Chlorine Tablets



PLAN VIEW



SECTION A-A VIEW



SECTION B-B VIEW



CE30 Structural Drawing

DATE: 09/28/2020 SCALE: 1/4" = 1"