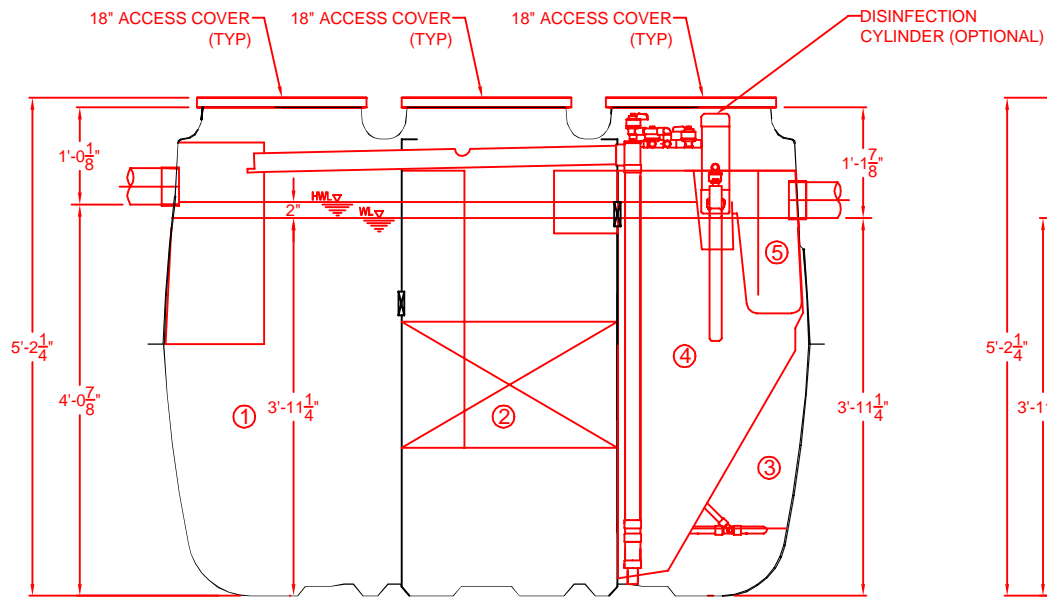


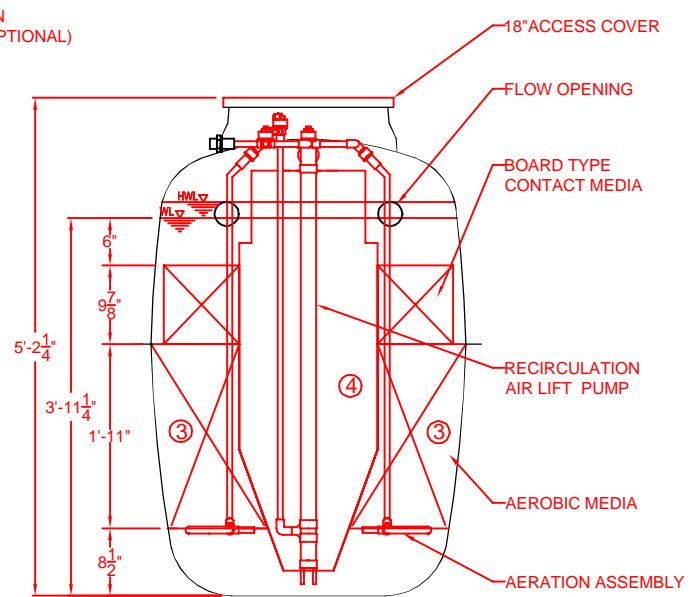
PLAN VIEW

| | CHAMBER | Volume (gal) |
|--------------|------------------------------------|--------------|
| ① | Sedimentation Chamber | 198 |
| ② | Anaerobic Filtration Chamber | 198 |
| ③ | Aerobic Contact Filtration Chamber | 95 |
| ④ | Clarification Chamber | 44 |
| ⑤ | Disinfection Chamber | 4 |
| Total Volume | | 540 |

| SPECIFICATIONS | |
|--------------------------|---------------------|
| Anaerobic Media | PP / PE |
| Board Type Aerobic Media | PVC / PP / PE |
| Aerobic Media | PP / PE |
| Blower | 2.8 cfm |
| Tank | FRP |
| Piping | PVC / PP / PE |
| Access Covers | Plastic / Cast Iron |
| Disinfectant (Optional) | Chlorine Tablets |



SECTION A-A VIEW



SECTION B-B VIEW

