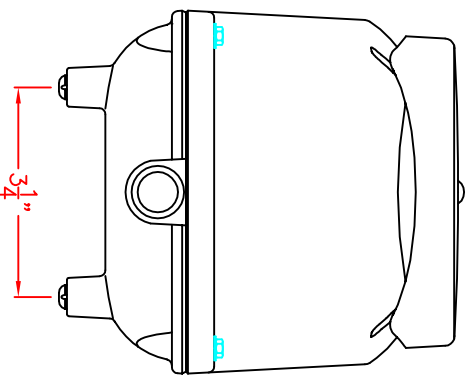
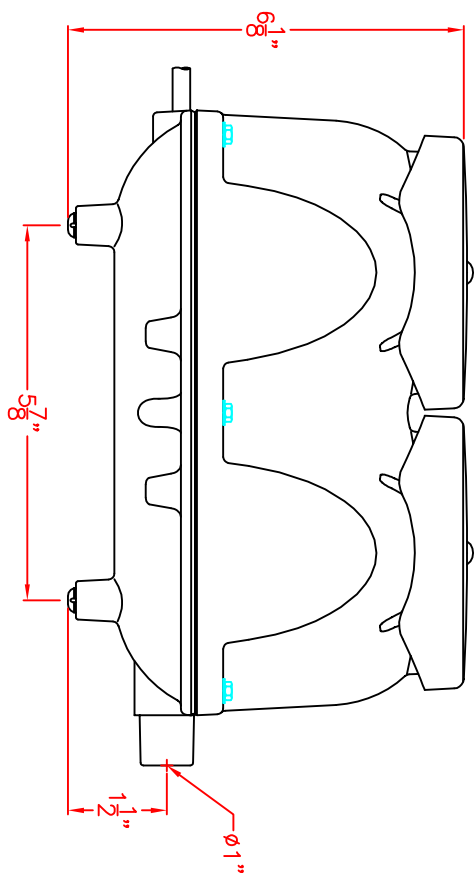
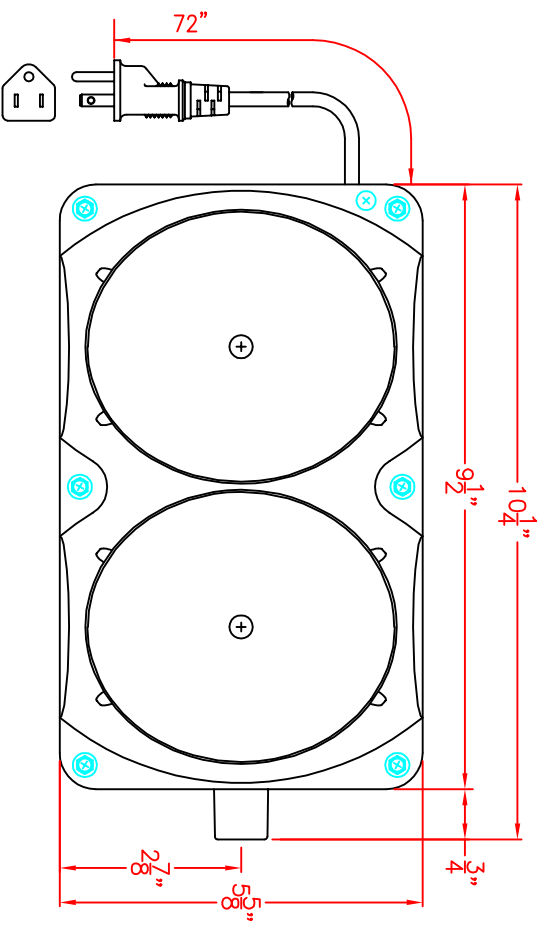



SPECIFICATIONS	
MODEL	MAC 120R
AIR FLOW	4.2 CFM
NORMAL PRESSURE	2.6 PSI
POWER	120V/1.8A/60Hz
OUTLET CONNECTION	1 INCH
WEIGHT	18.5 LBS
POWER CONSUMPTION	98 W
POWER CABLE	6 FEET

Installation / Operation & Maintenance Notes:

- Install blower on concrete base. Ensure adequate ventilation and protect against sunlight.
- Maintenance requires a trained technician.
- For maximum efficiency, inspect and clean internal air filter once every 3 months
- Replace diaphragm / valve assembly once every 12 months (Note: A damaged diaphragm will trigger the Automatic-Stop function).





MAC BLOWERS

by **FujiClean**
of Japan

BLOWER
MAC 120R

DATE: 06/17/2014 | SCALE: 3" = 1"