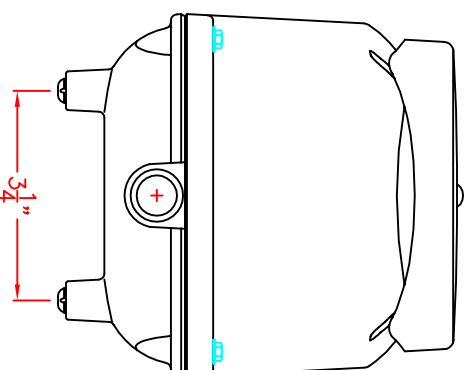
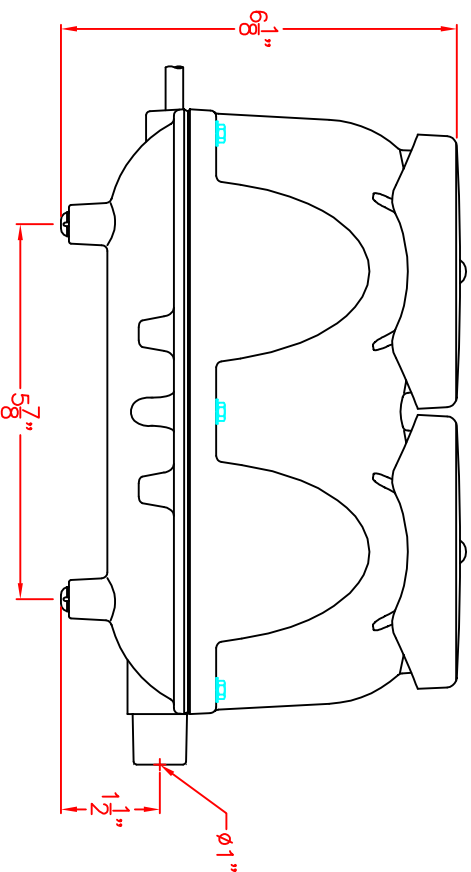
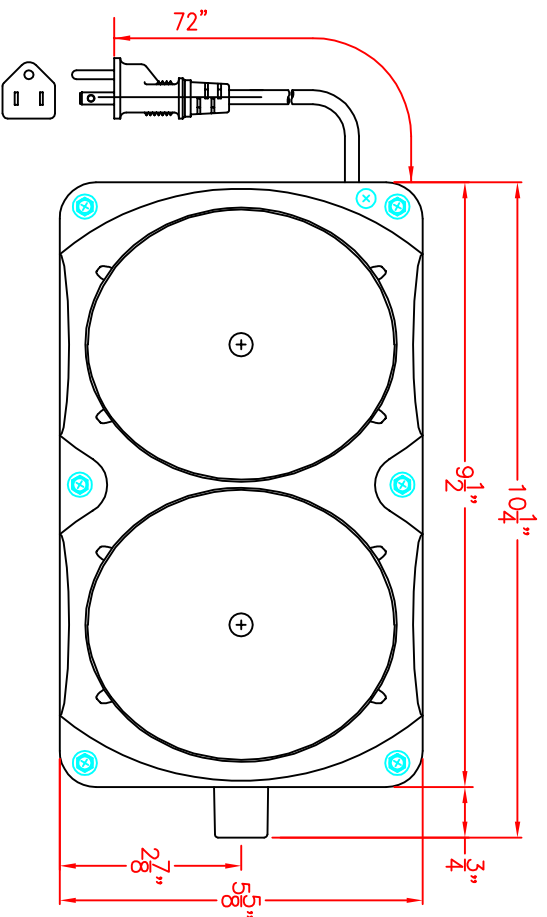


SPECIFICATIONS	
MODEL	MAC 150R
AIR FLOW	5.3 CFM
NORMAL PRESSURE	2.6 PSI
POWER	120V/2.3A/60Hz
OUTLET CONNECTION	1 INCH
WEIGHT	20 LBS
POWER CONSUMPTION	120 W
POWER CABLE	6 FEET

Installation / Operation & Maintenance Notes:

- Install blower on concrete base. Ensure adequate ventilation and protect against sunlight.
- Maintenance requires a trained technician.
- For maximum efficiency, inspect and clean internal air filter once every 3 months
- Replace diaphragm / valve assembly once every 12 months (Note: A damaged diaphragm will trigger the Automatic-Stop function).



MAGBLOWERS

by
FujiClean
of Japan

BLOWER
MAC 150R

DATE: 06/17/2014 SCALE: 3" = 1"