



FujiMAC Air Pump



Model	MAC40RII	MAC60RII	MAC80RII	MAC100RII	MAC120RII	MAC150RII	MAC200RII
Rate Voltage	120V						
Air Flow	1.4CFM (40L/m)	2.1CFM (60L/m)	2.8CFM (80L/m)	3.5CFM (100L/m)	4.2CFM (120L/m)	5.3CFM (150L/m)	7.1CFM (200L/m)
Pressure	1.7PSI (12kPa)	2.2PSI (15kPa)		2.6PSI (18kPa)		2.9PSI (20kPa)	
Outlet Pipe	13mm (external dia. 18mm)				20mm (external dia. 26mm)		
Weight	11 Lbs. (5.0kg)					20 Lbs. (9.0kg)	
Power Consumption	30W	37W	51W	74W	93W	115W	155W
Noise level	37dB		39dB	40dB	41dB		43dB

1. Long Life

A redesigned aluminum housing greatly reduces operating temperatures for a much longer life.

2. Energy Efficient

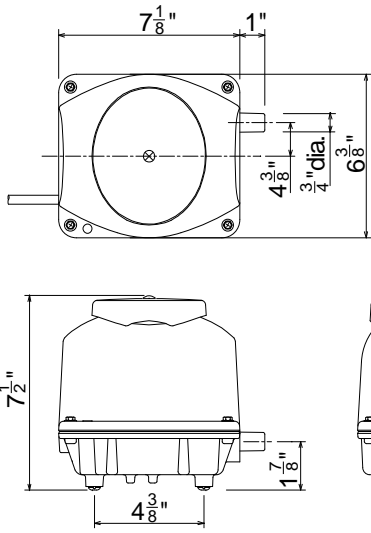
FujiMAC uses less power than a light bulb!
Mac80R II -51W

3. Made in Japan

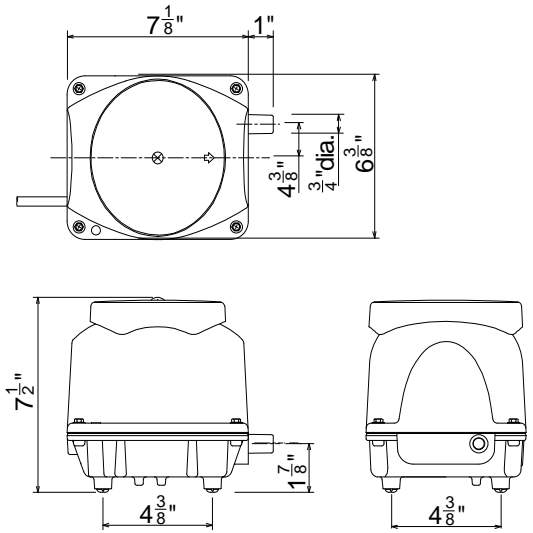
The only diaphragm Air Pump manufactured in JAPAN.
Home of legendary quality control.



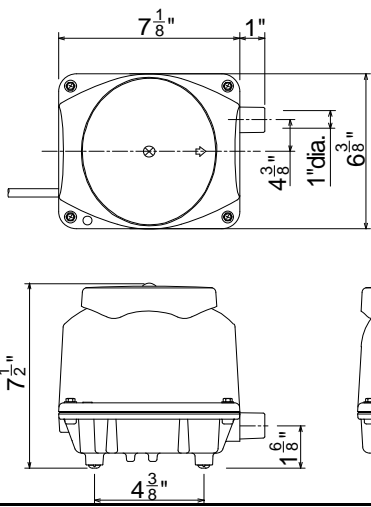
□MAC40RII



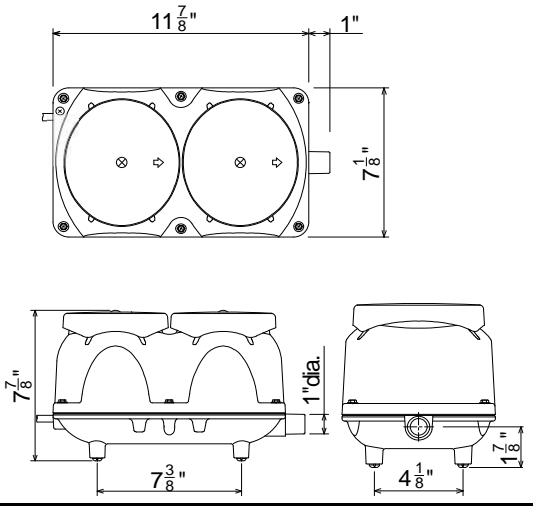
□MAC60RII/80RII/100RII



□MAC120RII



□MAC150RII/200RII



FujiMAC Series Performance Curve -120V60Hz
 MAC40R II /60R II /80R II /100R II /120R II /150R II /200R II

