

DATE _____



"MAC150RII" Specifications
(120V)

Ver.200806

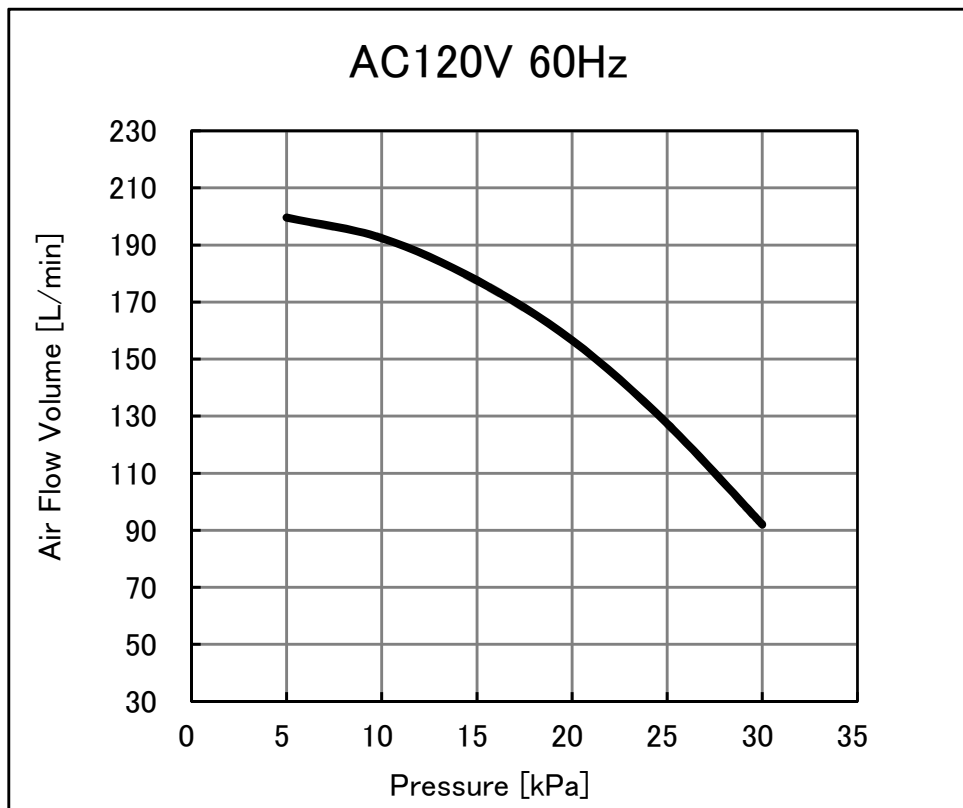
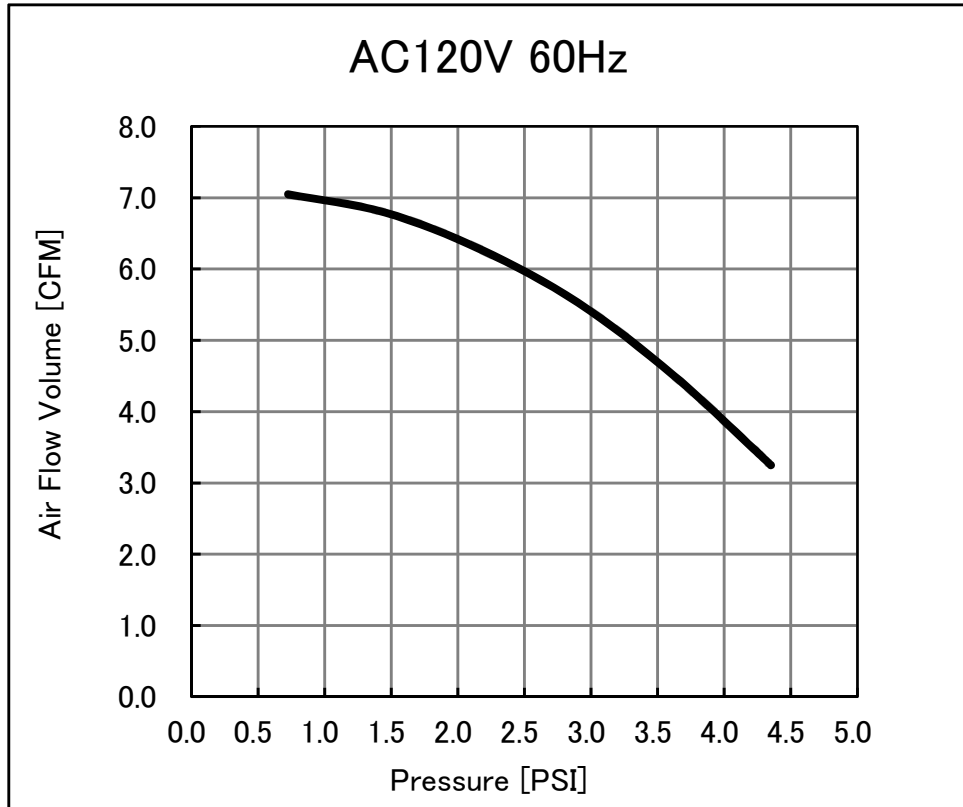
Specification List

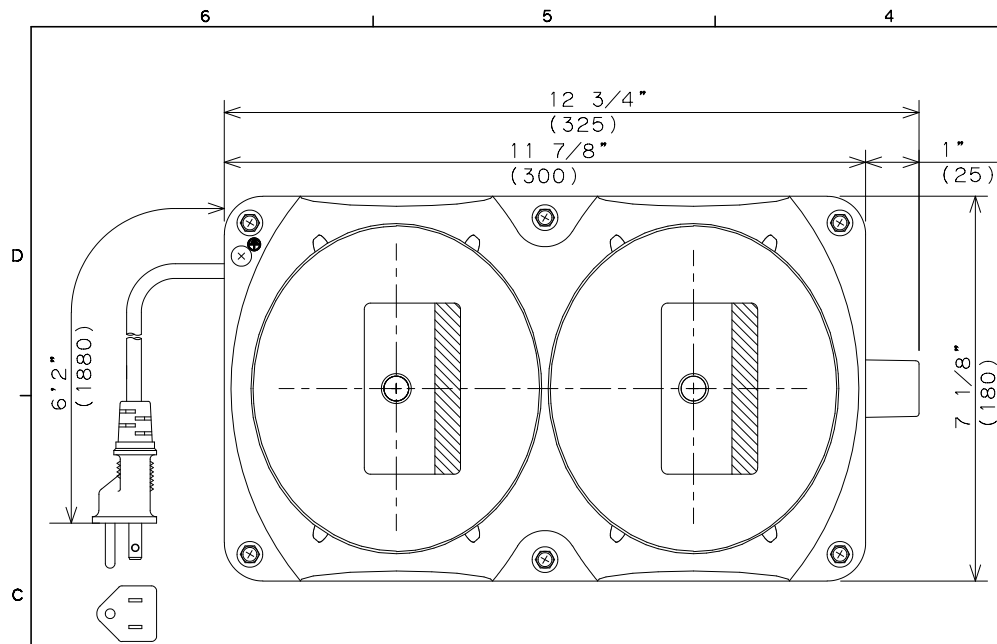
Model		MAC150RII
UL file number		UL E341420
Typical Applications		Aeration, etc.
Rated	Voltage Range and Frequency	AC 120 V \pm 10 V 60 Hz
	Proper Pressure Range	2.9 PSI \pm 20%
		20 kPa \pm 20%
	Insulate Class	A
Rating	Continuous	
Exterior	Dimensions	7 ¹ / ₈ " X 11 ⁷ / ₈ " X 7 ³ / ₄ "
		180 mm X 300 mm X 198 mm
	Color	White
	Weight	approx. 20 lbs (9 kg)
	Outlet Pipe Size	O.D. 1" (ϕ 26 mm)
Normal Operation and Performance	Power Cord	6'2" (1880 mm)
	Input Voltage	AC 120V 60 Hz
	Normal Pressure	2.9 PSI (20 kPa)
	Current	2.0 A or less
	Electricity Consumption	115 W
	Air Flow Volume	5.3 CFM (4.77 CFM more)
		150 L/min (135 L/min or more)
	Noise Level (at 3 ¹ / ₄ ft)	55 dBA or less
	Temperature Increase (at 77 °F)	Solenoid :135 °F (75 °C) or less, Surface : 81 °F (45 °C) or less
	Insulation Resistance	1.0 M Ω or more (DC 500 V)
Withstand Voltage	AC 1500 V - 1 min	
Environment	Aging Performance	Initial performance should remain
	Temperature Range	-4 °F to 104 °F (-20 °C to 40 °C)
	Humidity	90% or less
	Installation Orientation	Install horizontally
	Other	No oil, corrosive gas, nor explosive gas

Performance Curve

MAC150R11

Ambient 68°F

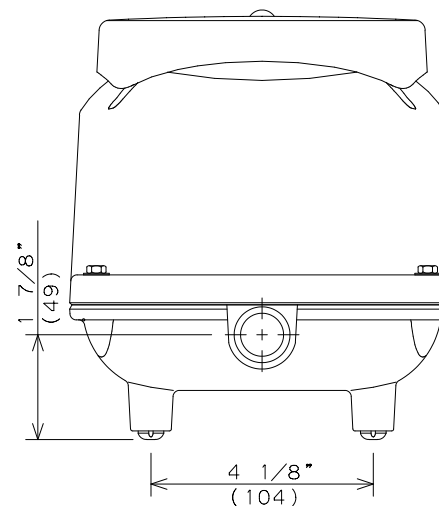
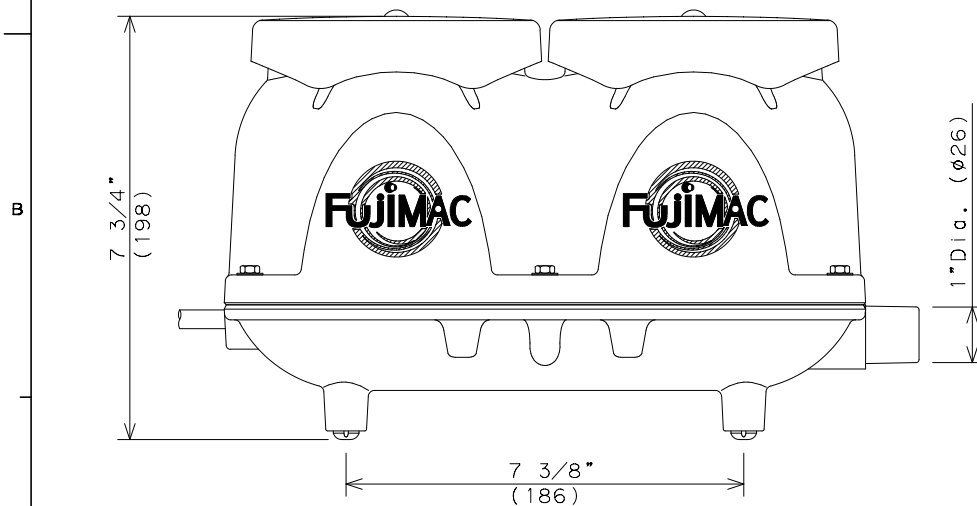




Specifications			
Model		MAC150RII	MAC200RII
Air Flow Volume	CFM	5.3	7.1
	L/min	150	200
Normal Pressure	PSI	2.9	
	kPa	20	
Rated Voltage	V	AC120	
Frequency	Hz	60	
Power Consumption	W	115	155
Weight	lbs.	Approx. 20	
	kg	Approx. 9	
Outlet Pipe Diameter	inch	1"	
Power Cord Length	inch	6'2"	
UL file number		E341420	
Country of origin		Japan	

Installation / Operation & Maintenance Notes:

- Install blower on leveled solid base. Ensure adequate ventilation and protect against direct sunlight.
- Inspect and clean internal air filter once every 3 months.
- Recommend diaphragm / valve assembly replacement once every 12 months.
(Note: a torn diaphragm will trigger the Automatic-Stop function.)
- Please make sure to follow the instruction manual.



All drawing measurements in inches(mm).



TITLE MAC150RII/200RII	APPROVAL DATE 05-10-2017	
	SIZE A3	SCALE 2:5
Fujimac	DWG NO T20009Z1-H3	