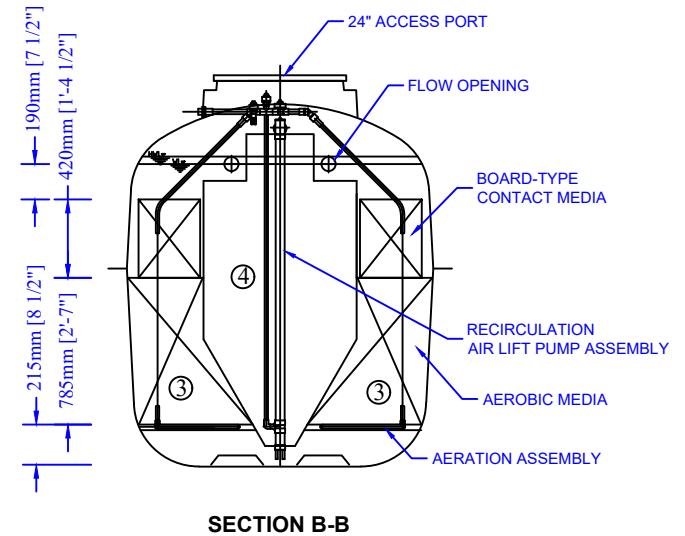
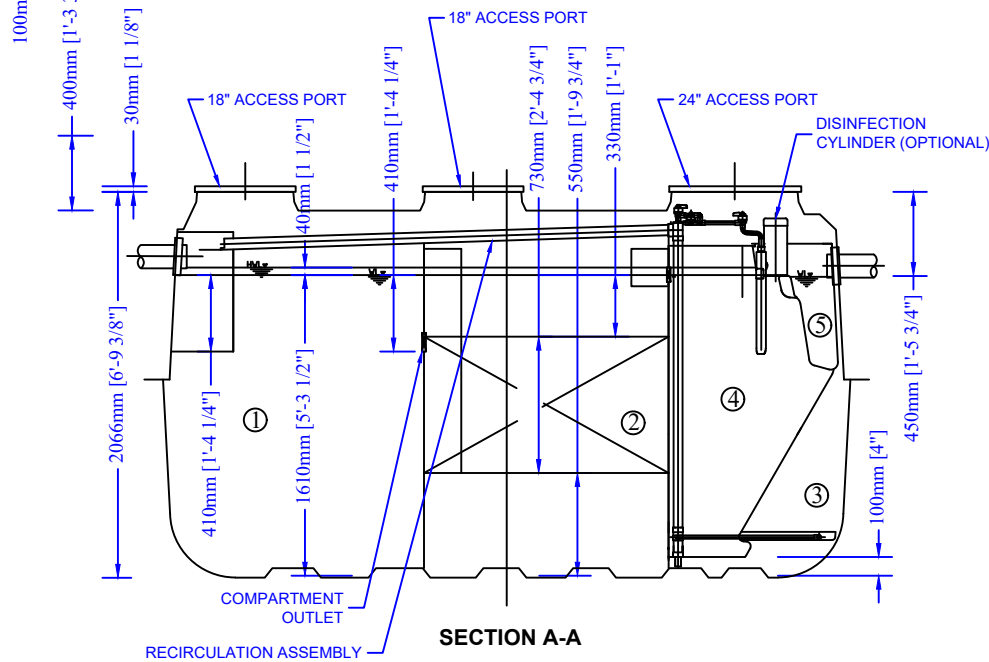


CHAMBER		Volume (gal)
①	Sedimentation Chamber	834
②	Anaerobic Filtration Chamber	840
③	Aerobic Contact Filtration Chamber	379
④	Storage Chamber	193
⑤	Disinfection Chamber	12
Total Volume		2,258

SPECIFICATIONS			
Anaerobic Media	PP / PE	Filling Rate	46%
Board Type Aerobic Media	PVC / PP / PE	Filling Rate	17%
Aerobic Media	PP / PE	Filling Rate	55%
Blower	5.3 cfm		
Tank	FRP		
Piping	PVC / PP / PE		
Access Covers	Plastic / Cast Iron		
Disinfectant (Optional)	Chlorine Tablets		



# FUJI CLEAN CEN14

SCALE:  
NONE

DATE:  
11/30/2018

DRAWN BY:  
BDB

