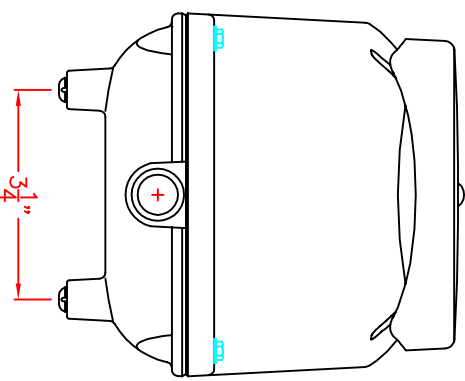
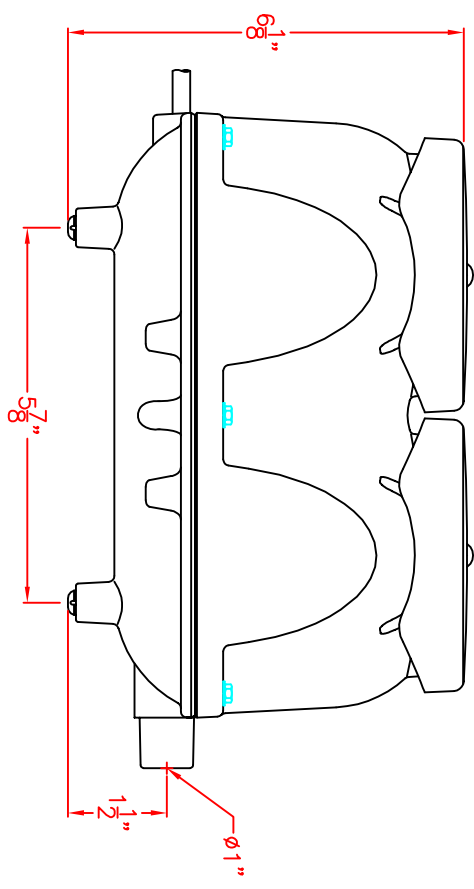
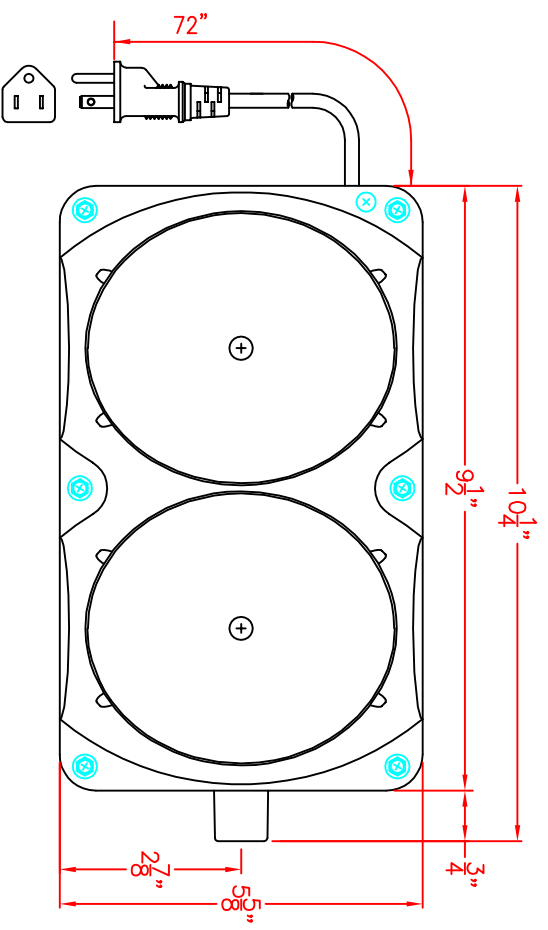


SPECIFICATIONS	
MODEL	MAC 200R
AIR FLOW	7.0 CFM
NORMAL PRESSURE	2.6 PSI
POWER	120V/3.1A/60Hz
OUTLET CONNECTION	1 INCH
WEIGHT	20 LBS
POWER CONSUMPTION	170 W
POWER CABLE	6 FEET

Installation / Operation & Maintenance Notes:

- Install blower on concrete base. Ensure adequate ventilation and protect against sunlight.
  - Maintenance requires a trained technician.
  - For maximum efficiency, inspect and clean internal air filter once every 3 months
  - Replace diaphragm / valve assembly once every 12 months
- (Note: A damaged diaphragm will trigger the Automatic-Stop function).



**MAGBLOWERS**  
by FujiClean of Japan

**BLOWER**  
**MAC 200R**

DATE: 06/17/2014    SCALE: 3" = 1"